

The 2630-100 series of extensometers offers speed of attachment and ease-of-use. The light-weight, rugged cross-brace design eliminates errors caused by physical distortion, while built-in protection ensures that damage is not caused by over-extension.

The low operating-force arms of the extensometer reduce the possibility of knife-edge slippage when testing hard or smooth surfaced materials. The extensometers can be installed or set in place accurately and consistently, with the gauge length locking device automatically releasing itself after attachment, ensuring speed and reliability of operation. This unique, patented cone-latch mechanism also overcomes the problems associated with having to remove pins or clips prior to starting a test, or tests being conducted with the extensometer accidentally locked at gauge length. There is also the ability to measure both positive and negative strain allowing compressive or flexural test measurements.

Features and Benefits

- Rugged cross-brace design with low operating force arms
- Unique, patented cone-latch system
- Precise, fixed gauge length with automatic calibration facility
- Interchangeable rapid attachment spring clips
- Centering guides for accurate alignment on small diameter specimens
- Ideal for temperature cabinet use, between -100 °C and +200 °C
- Compressive and through-zero strain measurement capability
- Suitable for closed-loop strain control for monotonic and low-rate cyclic testing
- Rugged construction allows for extensometer to be left on through failure for most materials

Application Range

- Metals testing 'n-value'
- Flex or compression testing
- Rigid plastics testing
- Immersable testing
- Composites

Principle of Operation

The 2630-100 series extensometer includes different gauge length and strain range options to suit a wide range of specimen characteristics. All 2630-100 series extensometers can comply with both the ASTM E 83 and ISO 9513 standards, and gauge lengths are available in metric or U.S. customary units. Test certificates are supplied, showing the individual performance of each unit.

Specifications

Catalog Number	2630-100	
Repeatability	%	Better than 0.1 FRO (Full Range Output)
Hysteresis	%	Better than 0.3 FRO
Balance	%	Better than ± 2.5 FRO
Excitation	V	1 V to 5 V RMS
	kHz	DC to 5 kHz
Sensitivity	mV/V	2.5 ($\pm 20\%$)
Electrical Calibration Accuracy	%	± 0.06 FRO
Bridge Resistance; (Nominal)	ohms	350
Gauge Length Accuracy	%	± 0.5 at gauge length
Temperature Range	$^{\circ}\text{C}$	-100 to +200
Temperature Effect on Zero	%	± 0.01 FRO
Typical Temperature Effect	$^{\circ}\text{C}$	-0.006% FRO/ celsius (+20 to +100) -0.008% FRO/ celsius
-On Sensitivity	$^{\circ}\text{C}$	(+100 to +50) -0.01% FRO/ celsius (+150 to +200)
-On Immersibility	-	Non-conductive/ non-corrosive fluids .i.e. acetone, mineral and silicone oils, alcohol, etc.
Over Travel	-	Mechanical limit stops
Gauge Length Settings	-	Cone latch with automatic release

Specifications - Metric

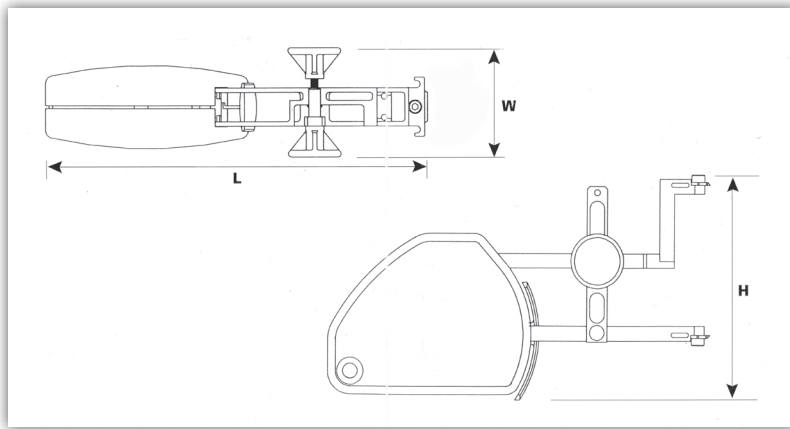
Catalog Number	Gauge Length	Travel	Length (L)	Width (W)	Height (H)	Operating Force	Strain Range Classification*				
							ISO 9513 0.5	ISO 9513 1.0	ASTM E 83 B-2	ASTM E 83 C	
							%	%	%	%	
2630-120	8	-4 to +4	67	39	25	20	27	0 to +50	-30 to +50	0 to +50	-30 to +50
2630-101	10	-1 to +1	67	39	25	160	27	-10 to +10	-	-10 to +10	-
2630-102	10	-5 to +5	67	39	25	20	27	0 to +50	-	0 to +50	-
2630-105	25	-5.5 to +2.5	100	39	52	55	56	-10 to +10	-	-10 to +10	-
2630-106	25	-2.3 to +12.5	115	39	58	75	58	0 to +50	-	0 to +50	-
2630-107	25	-2.5 to +25	132	39	69	45	60	0 to +70	0 to +100	0 to +70	0 to +100
2630-111	50	-5 to +5	100	39	72	45	60	-10 to +10	-	-10 to +10	-
2630-112	50	-2.5 to +25	132	39	72	45	60	0 to +35	0 to +50	0 to +35	0 to +50
2630-113	50	-5 to +50	181	39	72	37	66	0 to +70	0 to +100	0 to +70	0 to +100
2630-123	75	-0.75 to +7.5	116	39	101	60	60	0 to +10	-	0 to 10	-
2630-117	80	-0.8 to +8	116	39	101	60	60	0 to +10	-	0 to +10	-
2630-118	80	-4 to +40	181	39	101	45	66	0 to +35	0 to +50	0 to +35	0 to +50
2630-119	100	-5 to +50	181	39	121	37	66	0 to +35	0 to +50	0 to +35	0 to +50

Notes:

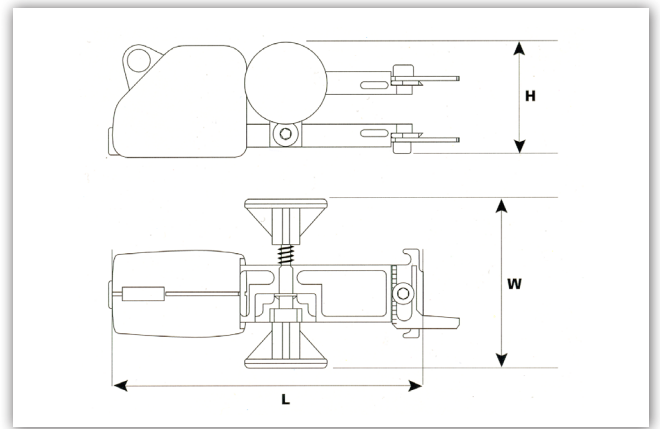
*When calibrated using the appropriate calibration apparatus these extensometers are guaranteed to meet the stated classification. Outside of these stated ranges the extensometers in compressive mode are generally perform to ISO 1.0 or ASTM C classification.

Specifications - US Customary

Catalog Number	Gauge Length	Tavel	Length (L)	Width (W)	Height (H)	Operating Force		Strain Range Classification*			
								ISO 9513 0.5	ISO 9513 1.0	ASTM E 83 B-2	ASTM E 83 C
								g	g	%	%
2630-121	0.3	-15 to +0.15	2.64	1.5	1.0	20	27	-10 to +50	-50 to +50	-10 to +50	-50 to +50
2630-103	0.5	-0.05 to +0.05	2.64	1.5	1.0	170	27	-10 to +10	-	-10 to +10	-
2630-104	0.5	-0.25 to +0.25	2.64	1.5	1.0	20	27	0 to +50	-30 to +50	0 to +50	-30 to +50
2630-108	1.0	-0.1 to +0.1	4.0	1.5	2.0	55	56	-10 to +10	-	-10 to +10	-
2630-109	1.0	-0.1 to +0.5	4.5	1.5	2.3	75	58	0 to +50	-	0 to +50	-
2630-110	1.0	-0.1 to +1.0	5.2	1.5	2.7	45	60	0 to +70	0 to +100	0 to +70	0 to +100
2630-114	2.0	-0.2 to +0.2	4.0	1.5	2.8	45	60	-10 to +10	-	-10 to +10	-
2630-115	2.0	-0.1 to +1.0	5.2	1.5	2.8	45	60	0 to +35	0 to +50	0 to +35	0 to +50
2630-116	2.0	-0.2 to +2.0	7.1	1.5	2.8	37	66	0 to +70	0 to +100	0 to +70	0 to +100



Short gauge length



Long gauge length

Notes:

*When calibrated using the appropriate calibration apparatus these extensometers are guaranteed to meet the stated classification. Outside of these stated ranges the extensometers in compressive mode are generally perform to ISO 1.0 or ASTM C classification.

www.instron.com



Worldwide Headquarters
825 University Ave, Norwood, MA 02062-2643, USA
Tel: +1 800 564 8378 or +1 781 575 5000

European Headquarters
Coronation Road, High Wycombe, Bucks HP12 3SY, UK
Tel: +44 1494 464646

Instron Industrial Products
900 Liberty Street, Grove City, PA 16127, USA
Tel: +1 724 458 9610

Instron is a registered trademark of Illinois Tool Works Inc. (ITW). Other names, logos, icons and marks identifying Instron products and services referenced herein are trademarks of ITW and may not be used without the prior written permission of ITW. Other product and company names listed are trademarks or trade names of their respective companies. Copyright © 2012 Illinois Tool Works Inc. All rights reserved. All of the specifications shown in this document are subject to change without notice.